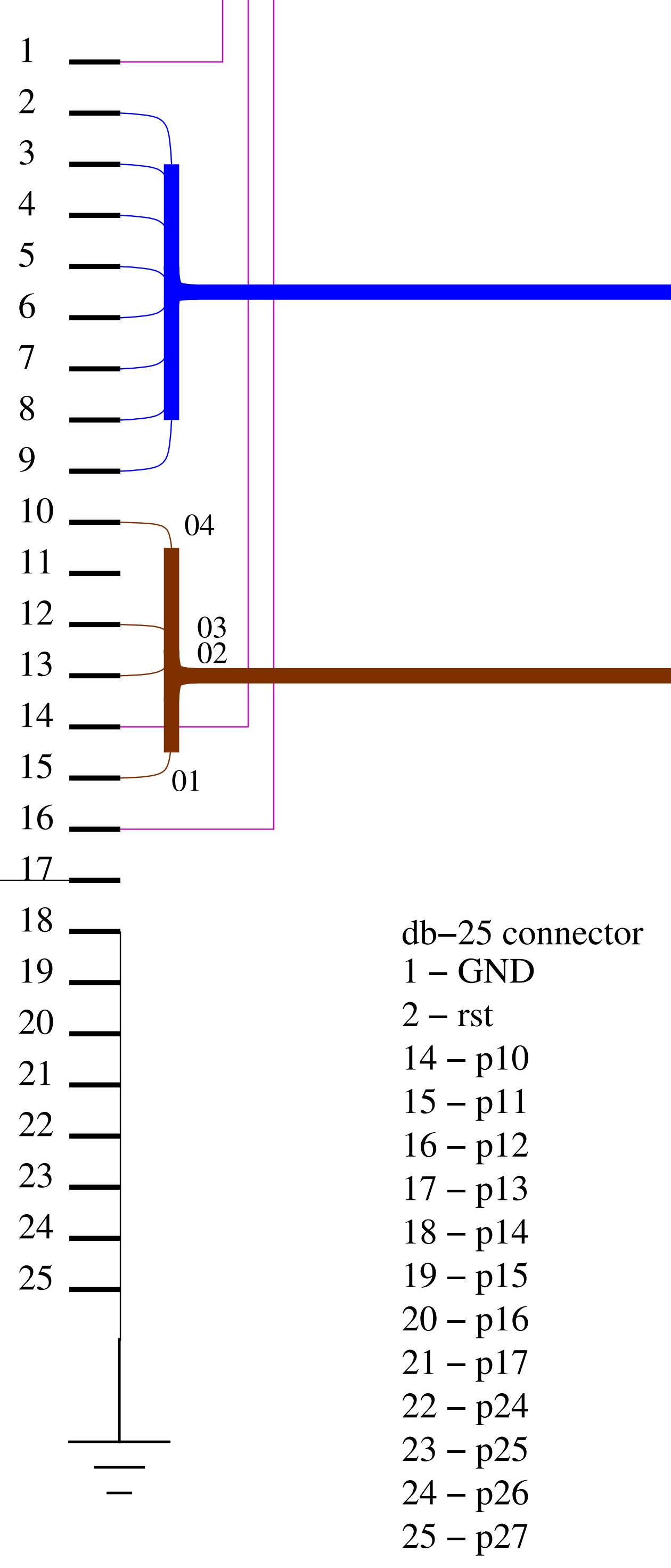


PC Printer Port



db-25 connector
 1 - GND
 2 - rst
 14 - p10
 15 - p11
 16 - p12
 17 - p13
 18 - p14
 19 - p15
 20 - p16
 21 - p17
 22 - p24
 23 - p25
 24 - p26
 25 - p27

- Latched Command
- Data Bus 8048 - route to out of 1st, 2nd command, in of nibble stat, and in of comm nibble
- 4 bit in from PC Printer Port routed to out nibbles on 244s
- 8 bit out from PC Printer Port routed to 8048 data bus and 374 for latching next command
- 8 bit in to P1 nibbles
- 8 bit in to P2 nibbles
- Port 2 low 4 route to nibble in and nibble latch in
- Latched comm nibble

Design and drawings by Agatha Codrust. More details at <http://coprolite.com>

Notes:
 .1 uF between GND and 5+ on all chips.